

RECOMMENDED INSTALLATION PROCEDURE
TIMING BELT TENSIONER 979234 FOR AFTERMARKET
- FIAT 5 CYLINDER GAS ENGINES -
Revision date: 06/11/2001

1. Allow the engine and tensioner to stabilize to the same relative ambient temperature (20°C) before installing a tensioner for proper belt tension adjustment. Do not attempt to install a cool tensioner onto a hot engine or vice versa.

2. Rotate both the crankshaft and camshaft **CLOCKWISE** to TDC (Top Dead Center) position (i.e. #1 cylinder firing position). This defined position is to be the position where there is no action (positive or negative) from the camshaft or other sprockets. One should find no sudden movement or abrupt action from either of the sprockets. Generally cam & crankshaft sprockets have to line up with equivalent markings on the engine block to indicate TDC.

Removal of Timing Belt (In case of new engine build, skip step #3)

3. Using the installation tool, hold the tensioner position and loosen the tensioner mounting nut. Allow the tensioner to move right until the belt can be removed and then remove the belt.

Initial Setup of the TBT (Timing Belt Tensioner)

4. Place a new tensioner onto the mounting bracket. Tensioner's Anti-Rotation Slot should fit over the Anti-Rotation Pin on the bracket (See Figure 1).

5. Slide the tensioner to the farthest right for easier routing of the timing belt and hand tighten the M8 Mounting Nut (See Figure 1).

Pre-Installation of the TBT

6. Install the timing belt being careful to engage the appropriate teeth of all the corresponding sprockets as per drive layout (See Figure 2).
(Caution: Do not disturb the position of the crankshaft or camshaft sprockets during this procedure.)

7. Push the tensioner into the belt using the proper installation tool. The tensioner assembly will move against the belt and the Arm will eventually start to move **COUNTERCLOCKWISE**. Continue pushing the tensioner until its maximum travel position (See Figure 3).

8. Lock the tensioner in this position by tightening the Mounting Nut with **25.0 ± 5.5 Nm** of torque.

9. Rotate the crankshaft two (2) complete revolutions manually for proper seating of the belt until the crankshaft is repositioned at the TDC position.

Note: Repositioning the crankshaft to the TDC position must be done only during the clockwise rotation.

Verify that all timing indicators on camshaft sprockets, crankshaft sprocket and water pump sprocket align with corresponding indicators.

10. Using the installation tool to hold the tensioner position, loosen the tensioner Mounting Nut enough to allow movement. Watching the movement of the arm pointer, slowly retract the

RECOMMENDED INSTALLATION PROCEDURE
TIMING BELT TENSIONER 979234 FOR AFTERMARKET
- FIAT 5 CYLINDER GAS ENGINES -
Revision date: 06/11/2001

tensioner away from the belt until the Nominal Position Indicator Mark on the tensioner arm aligns with the Position Indicator on the front plate (See Figure 4).

Note: Do not allow the tensioner to snap free or steps 7, 8, 9 must be repeated.

11. Torque the Mounting Nut to **25.0 ± 5.5 Nm** using a torque wrench. Engine should then be rotated per step 9 to confirm tensioner position is correct. If not, repeat steps 9, 10.

12. Tensioner should have small oscillation about the nominal position with the engine running at idle.

Disclaimer

Every step of this installation **MUST** be properly performed or engine damage can occur.

RECOMMENDED INSTALLATION PROCEDURE
TIMING BELT TENSIONER 979234 FOR AFTERMARKET
- FIAT 5 CYLINDER GAS ENGINES -
Revision date: 06/11/2001

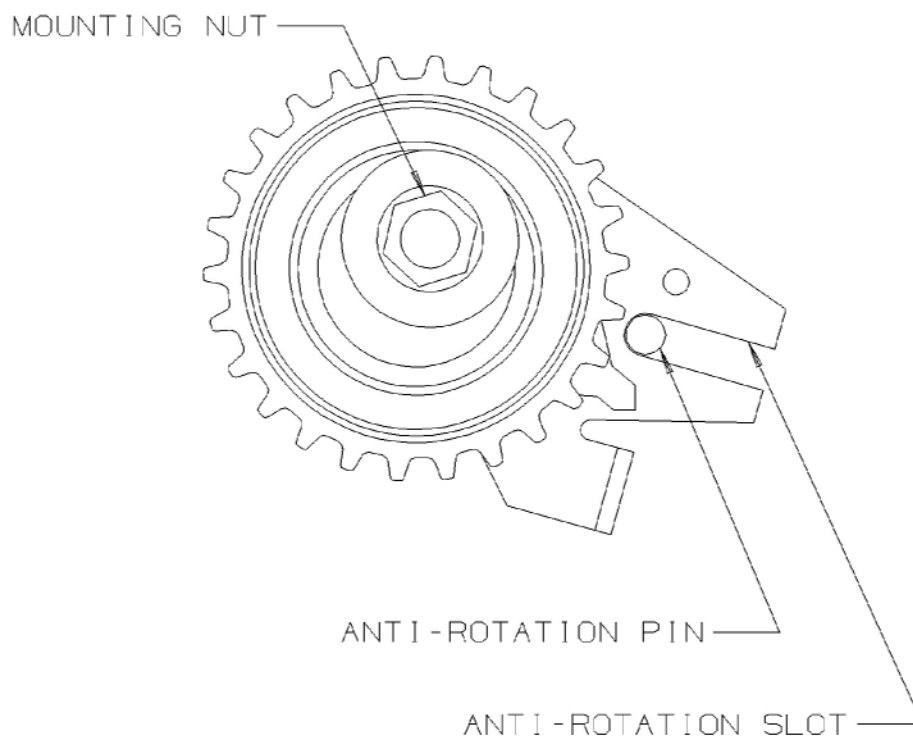


Figure 1: Tensioner Shown at Free-Arm Position Placed on the Mounting Bracket.

RECOMMENDED INSTALLATION PROCEDURE
TIMING BELT TENSIONER 979234 FOR AFTERMARKET
- FIAT 5 CYLINDER GAS ENGINES -
Revision date: 06/11/2001

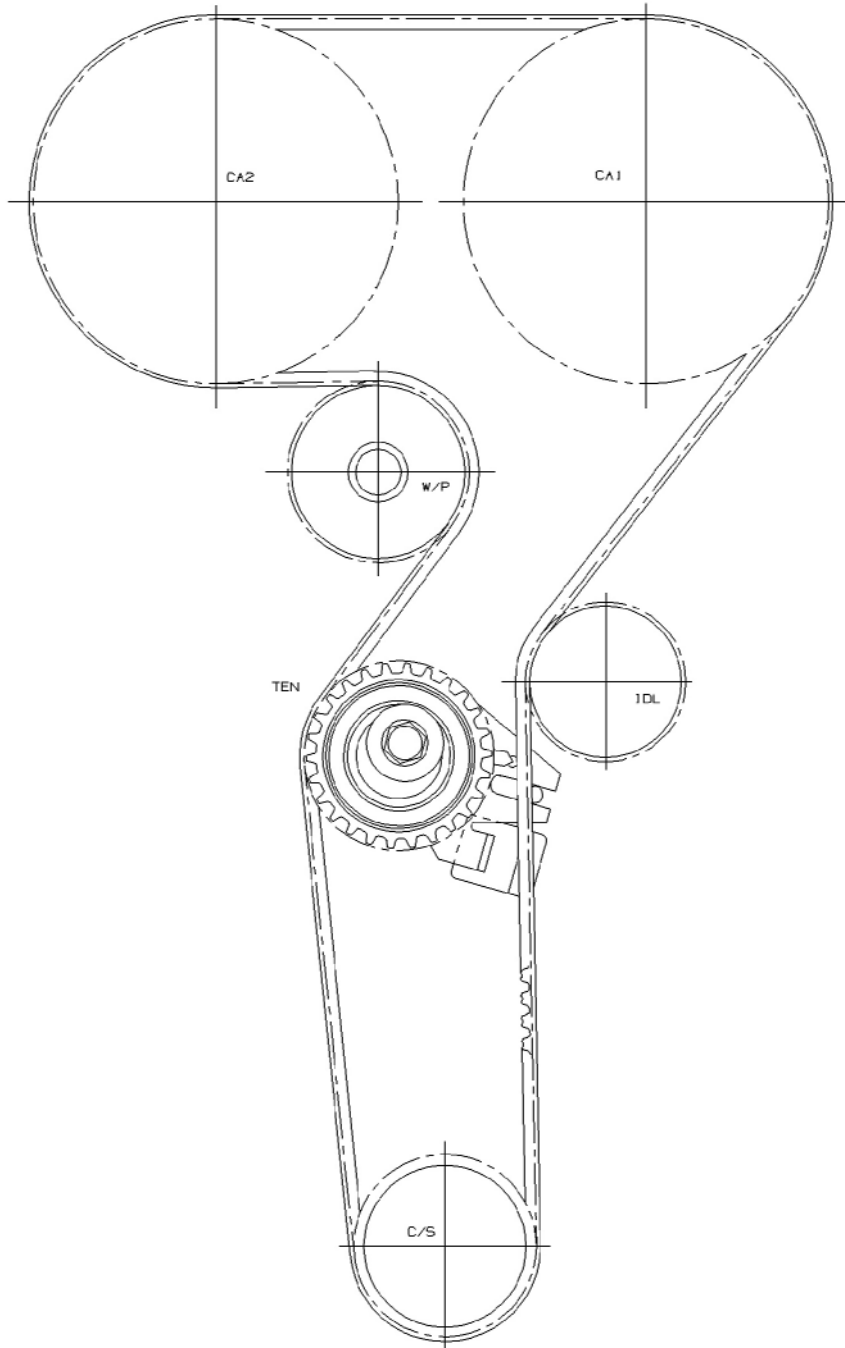


Figure 2: Belt Layout for 979234 (FIAT 2.0/2.4L DOHC, 5 Cylinder).

RECOMMENDED INSTALLATION PROCEDURE
TIMING BELT TENSIONER 979234 FOR AFTERMARKET
- FIAT 5 CYLINDER GAS ENGINES -
Revision date: 06/11/2001

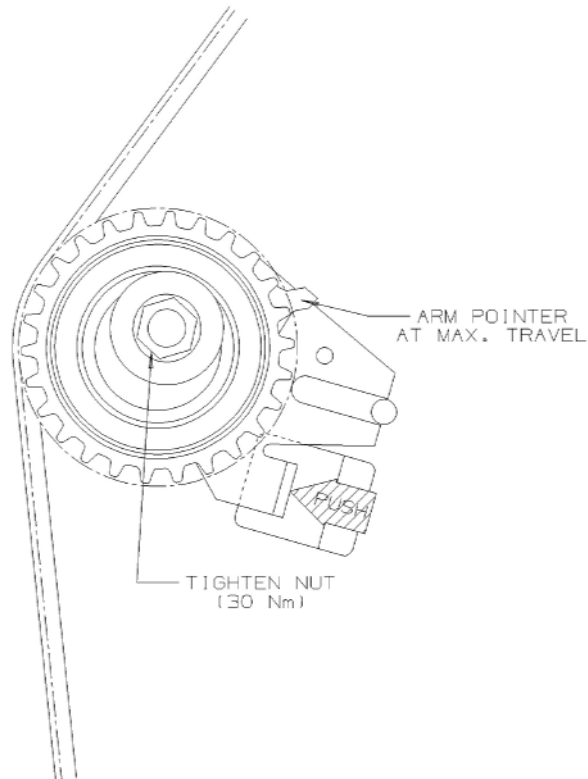


Figure 3: Proper Initial Setup of Tensioner.

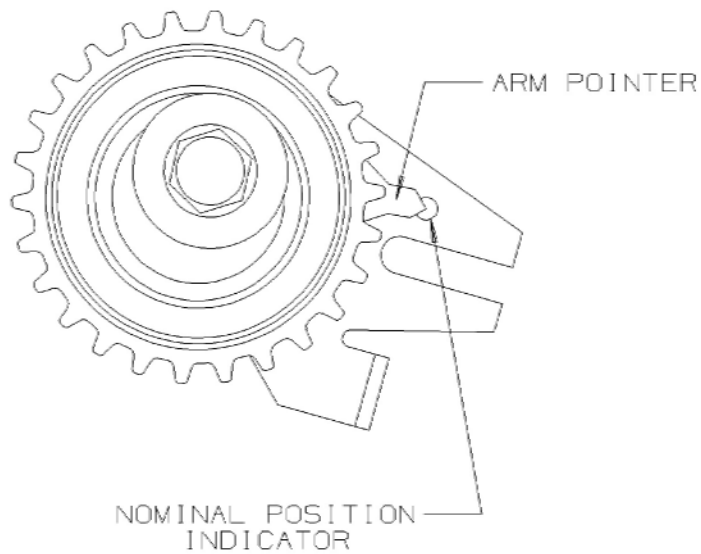


Figure 4: Tensioner Properly Installed at Room Temperature (20°C)